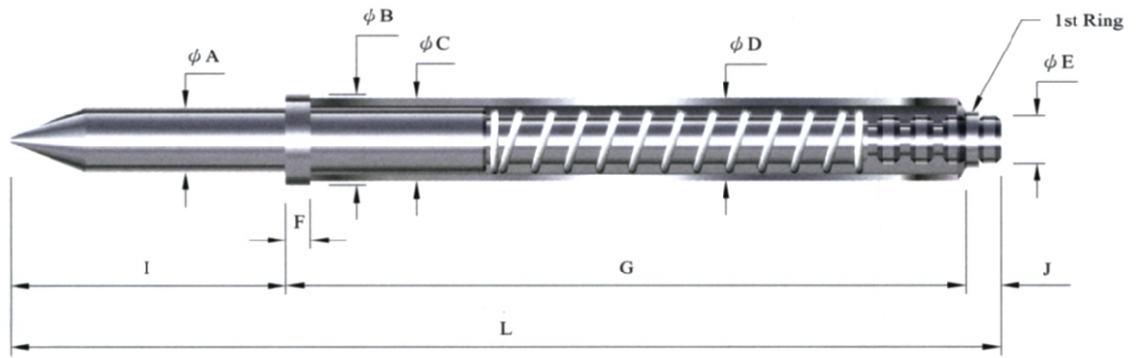
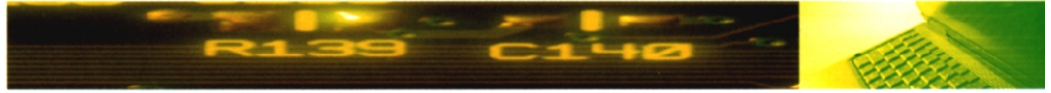


HGP



(For Bare Board)

Type	Spec	φ A	φ B	φ C	φ D	φ E	F	G	L	O.D.PCB [1]	Recommended Hole Size	Full Stroke Spring Force (±20%)	2/3 Stroke Spring Force (±20%)	Suitable For
GP-1P		2.48 [0.0976]	3.50 [0.1378]	3.20 [0.1260]	3.15 [0.1240]	1.83 [0.0720]	0.50 [0.0197]	20.0 [0.7874]	32.80 [1.2913]	1.0/1.5mm [0.0394]/[0.0591]	3.20mm [0.1260]	150g [5.3oz]	100g [3.53oz]	P-048 P-1 P-058 P-23 P-0
GP-2P		3.98 [0.1567]	5.50 [0.2165]	5.00 [0.1969]	4.95 [0.1949]	2.53 [0.0996]	0.50 [0.0197]	25.0 [0.9843]	38.60 [1.5197]	1.0/3.0mm [0.0394]/[0.1181]	5.00mm [0.1969]	170g [5.99oz]	120g [4.23oz]	P-21,P-11
GP-3P		4.98 [0.1961]	7.00 [0.2756]	6.00 [0.2362]	5.95 [0.2343]	2.53 [0.0996]	0.50 [0.0197]	25.0 [0.9843]	38.50 [1.5157]	1.0/3.7mm [0.0394]/[0.1457]	6.0mm [0.2362]	300g [10.58oz]	220g [7.76oz]	P-048 P-1 P-058 P-23 P-0
GP-5P		3.48 [0.1370]	5.00 [0.1969]	4.5 [0.1772]	4.45 [0.1752]	2.53 [0.0996]	0.50 [0.0197]	25.0 [0.9843]	39.40 [1.5512]	1.0/3.0mm [0.0394]/[0.1181]	4.50mm [0.1772]	300g [10.58oz]	230g [8.11oz]	P-21,P-11

I	1st Ring	2nd	3rd	4th
	GP-1P	11.6 [0.4567]	10.4 [0.4094]	9.2 [0.3622]
GP-2P	12.15 [0.4783]	9.7 [0.3819]	7.25 [0.2854]	4.8 [0.1890]
GP-3P	12.25 [0.4823]	9.8 [0.3858]	7.35 [0.2894]	
GP-5P	12.95 [0.5098]	11.0 [0.4331]	9.05 [0.3563]	7.1 [0.2795]

J	1st Ring	2nd	3rd	4th
	GP-1P	1.2 [0.0472]	2.4 [0.0945]	3.6 [0.1417]
GP-2P	1.45 [0.0571]	3.9 [0.1535]	6.35 [0.2500]	8.8 [0.3465]
GP-3P	1.25 [0.0492]	3.7 [0.1457]	6.15 [0.2421]	
GP-5P	1.45 [0.0571]	3.4 [0.1339]	5.35 [0.2106]	7.3 [0.2874]